

# PRODUCT SHEET

## BMW HP2 ENDURO

2005 >

LINE SPORT - SLIP ON SYSTEMS



**Official Partner**  
**Repsol Honda Team**

 **ITALIAN DESIGN & TECHNOLOGY**



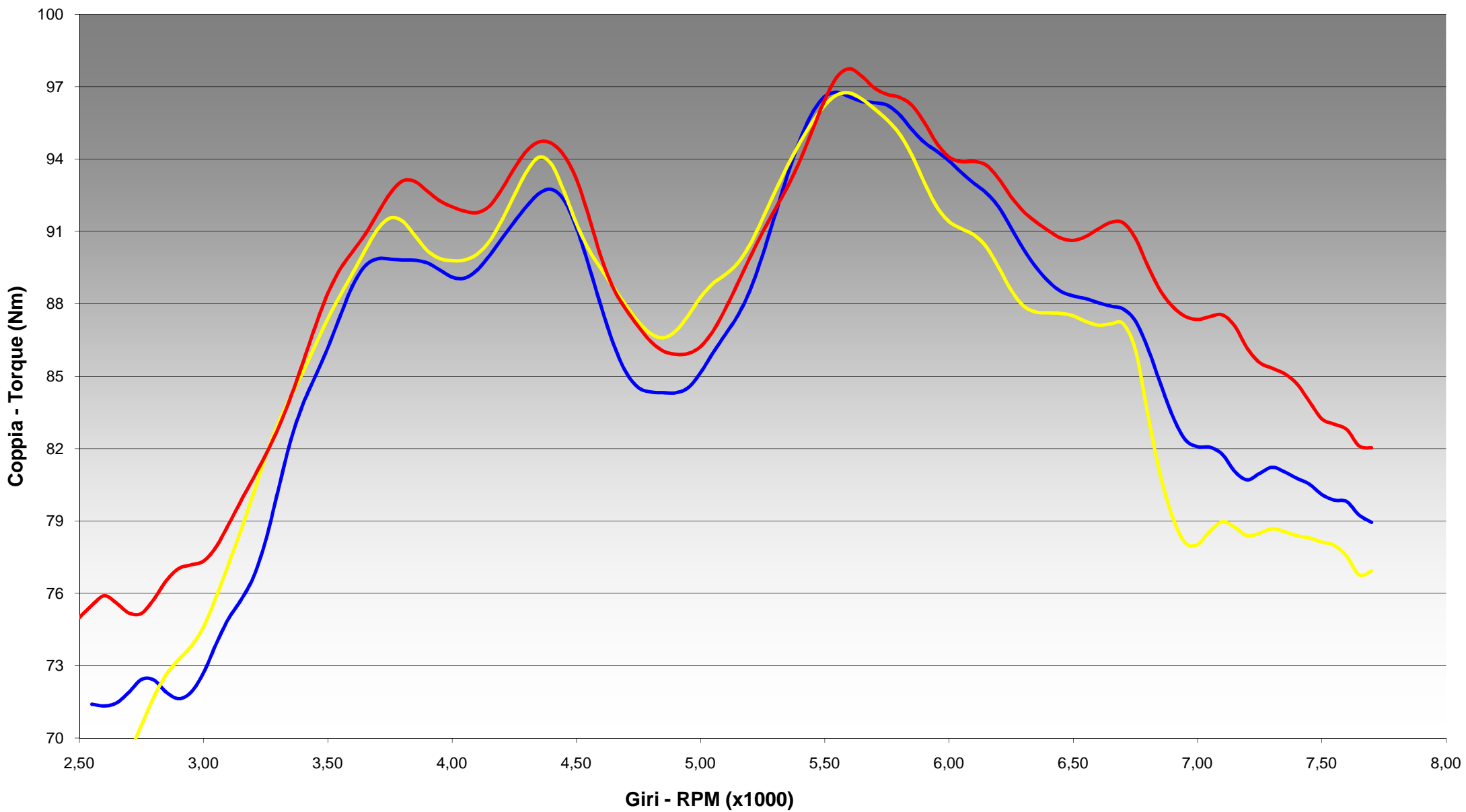
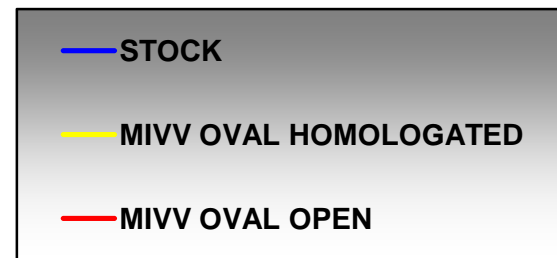
[mivv.it](http://mivv.it)

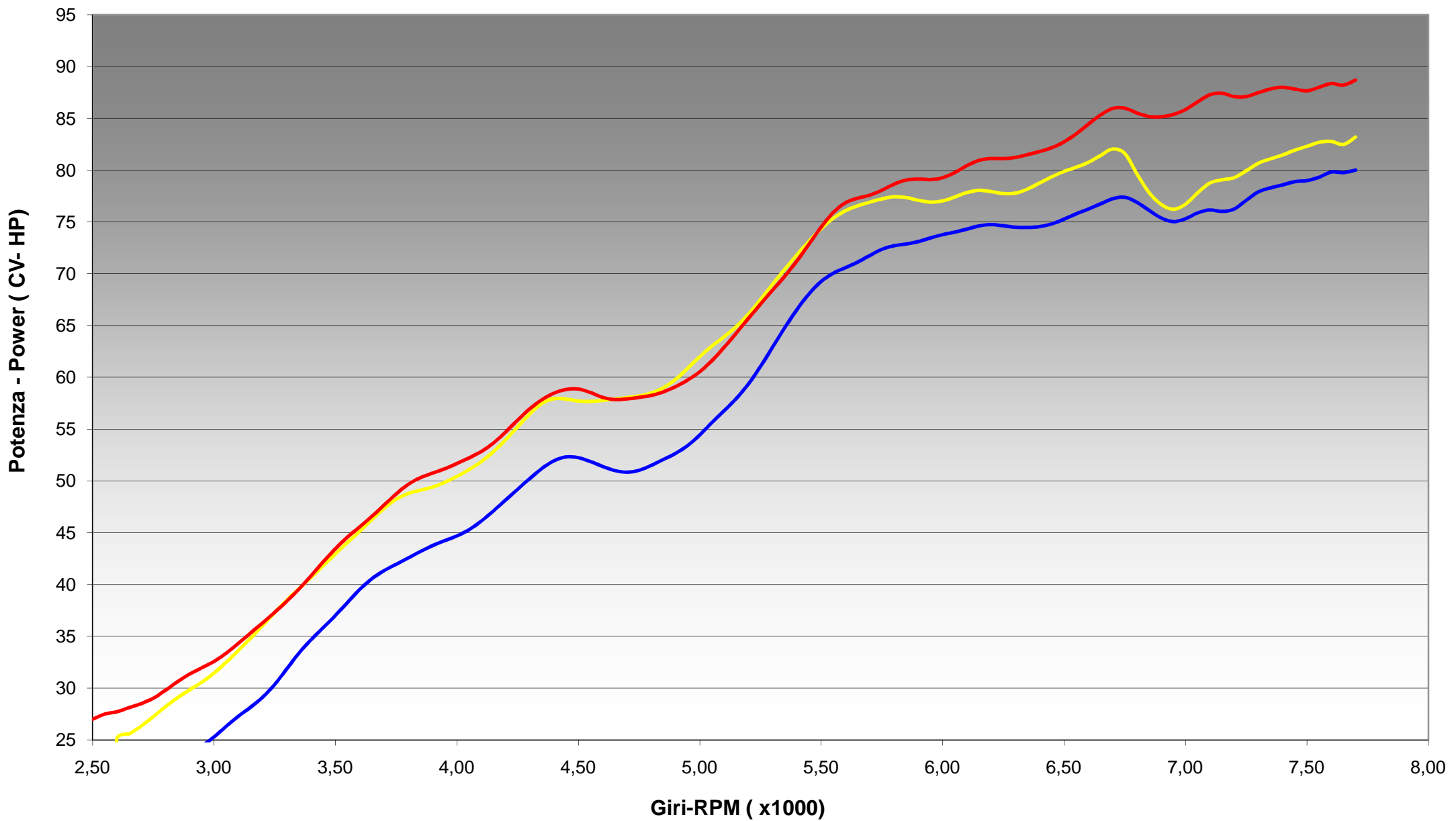
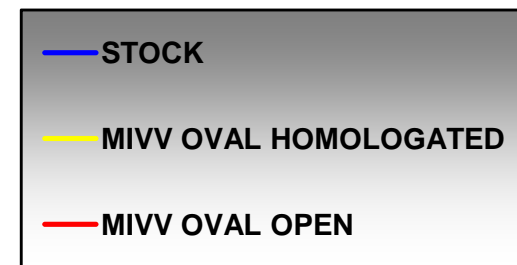


**BMW HP2 ENDURO**  
2005 >  
SPORT - SLIP ON SYSTEMS

	Kit	Type	Shape	Level	Homologated
B.006.LE	SLIP-ON	CARBON	OVAL	STANDARD LEVEL	<input checked="" type="checkbox"/>
B.006.LN	SLIP-ON	TITANIUM	OVAL	STANDARD LEVEL	<input checked="" type="checkbox"/>









**MODEL** BMW HP2 ENDURO

**YEAR** 2005-->

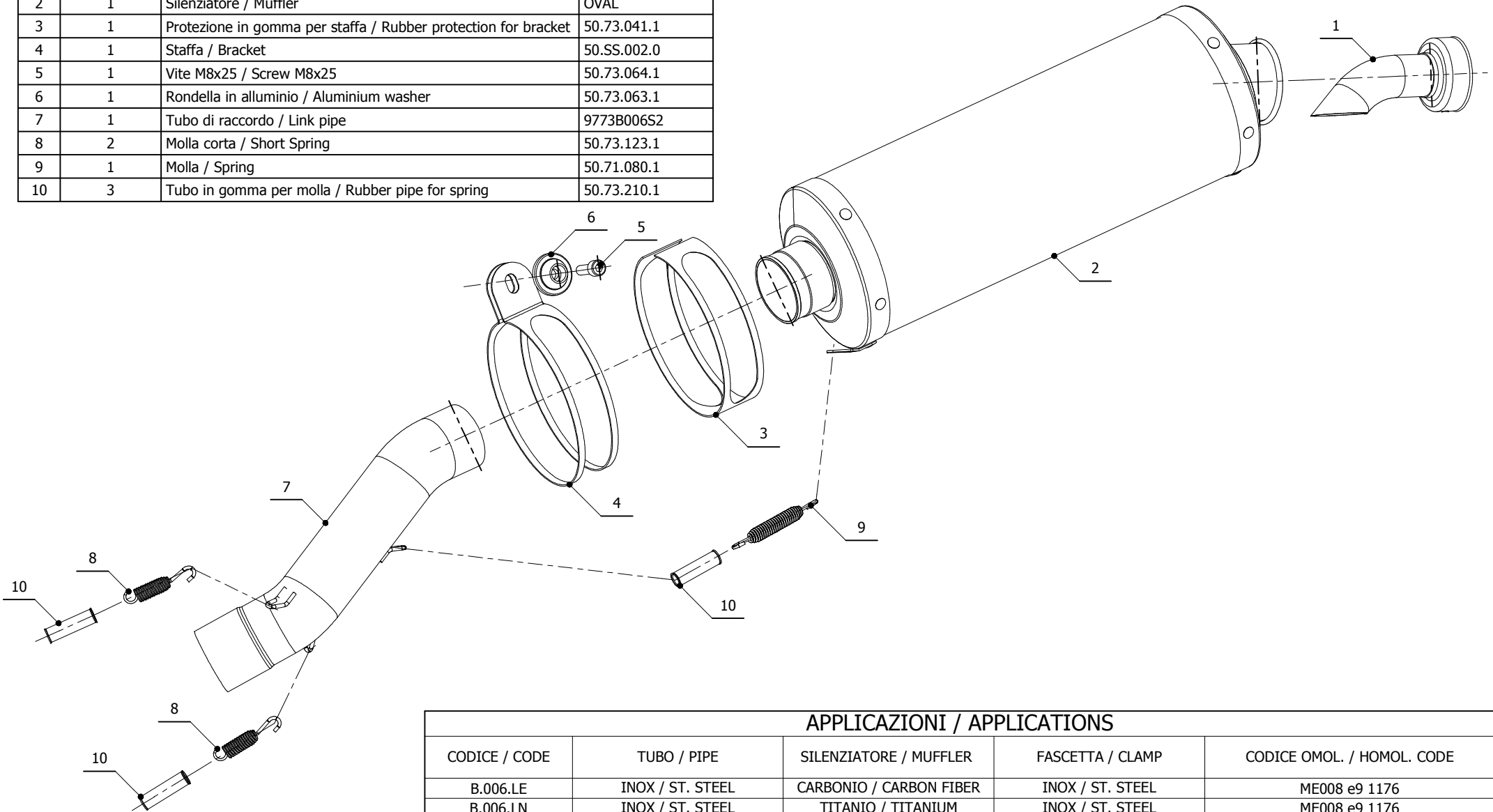
**LINE** SPORT

**MUFFLER** OVAL

**SCHEMATIC**

**ELENCO PARTI / PARTS LIST**

#	QTÀ / QTY	DESCRIZIONE / DESCRIPTION	CODICE / CODE
1	1	DB killer / DB killer	50.DK.020.0
2	1	Silenziatore / Muffler	OVAL
3	1	Protezione in gomma per staffa / Rubber protection for bracket	50.73.041.1
4	1	Staffa / Bracket	50.SS.002.0
5	1	Vite M8x25 / Screw M8x25	50.73.064.1
6	1	Rondella in alluminio / Aluminium washer	50.73.063.1
7	1	Tubo di raccordo / Link pipe	9773B006S2
8	2	Molla corta / Short Spring	50.73.123.1
9	1	Molla / Spring	50.71.080.1
10	3	Tubo in gomma per molla / Rubber pipe for spring	50.73.210.1



**APPLICAZIONI / APPLICATIONS**

CODICE / CODE	TUBO / PIPE	SILENZIATORE / MUFFLER	FASCETTA / CLAMP	CODICE OMOL. / HOMOL. CODE
B.006.LE	INOX / ST. STEEL	CARBONIO / CARBON FIBER	INOX / ST. STEEL	ME008 e9 1176
B.006.LN	INOX / ST. STEEL	TITANIO / TITANIUM	INOX / ST. STEEL	ME008 e9 1176