

PRODUCT SHEET

KTM LC8 950 SUPERMOTO R

2005 > 2006

LINE SPORT - Silencers



Official Partner
Repsol Honda Team

 **ITALIAN DESIGN & TECHNOLOGY**



mivv.it



Product Sheet



KTM LC8 950 SUPERMOTO R
2005 > 2006
SPORT - Silencers

	Kit	Type	Shape	Level	Homologated
KT.005.L7	2 BOLT-ON	STAINLESS STEEL	SUONO	STANDARD LEVEL	<input checked="" type="checkbox"/>
KT.005.L2	2 BOLT-ON	CARBON	ROUND	STANDARD LEVEL	<input checked="" type="checkbox"/>
KT.005.L6	2 BOLT-ON	TITANIUM	ROUND	STANDARD LEVEL	<input checked="" type="checkbox"/>
KT.005.L9	2 BOLT-ON	FULL CARBON	SUONO	STANDARD LEVEL	<input checked="" type="checkbox"/>



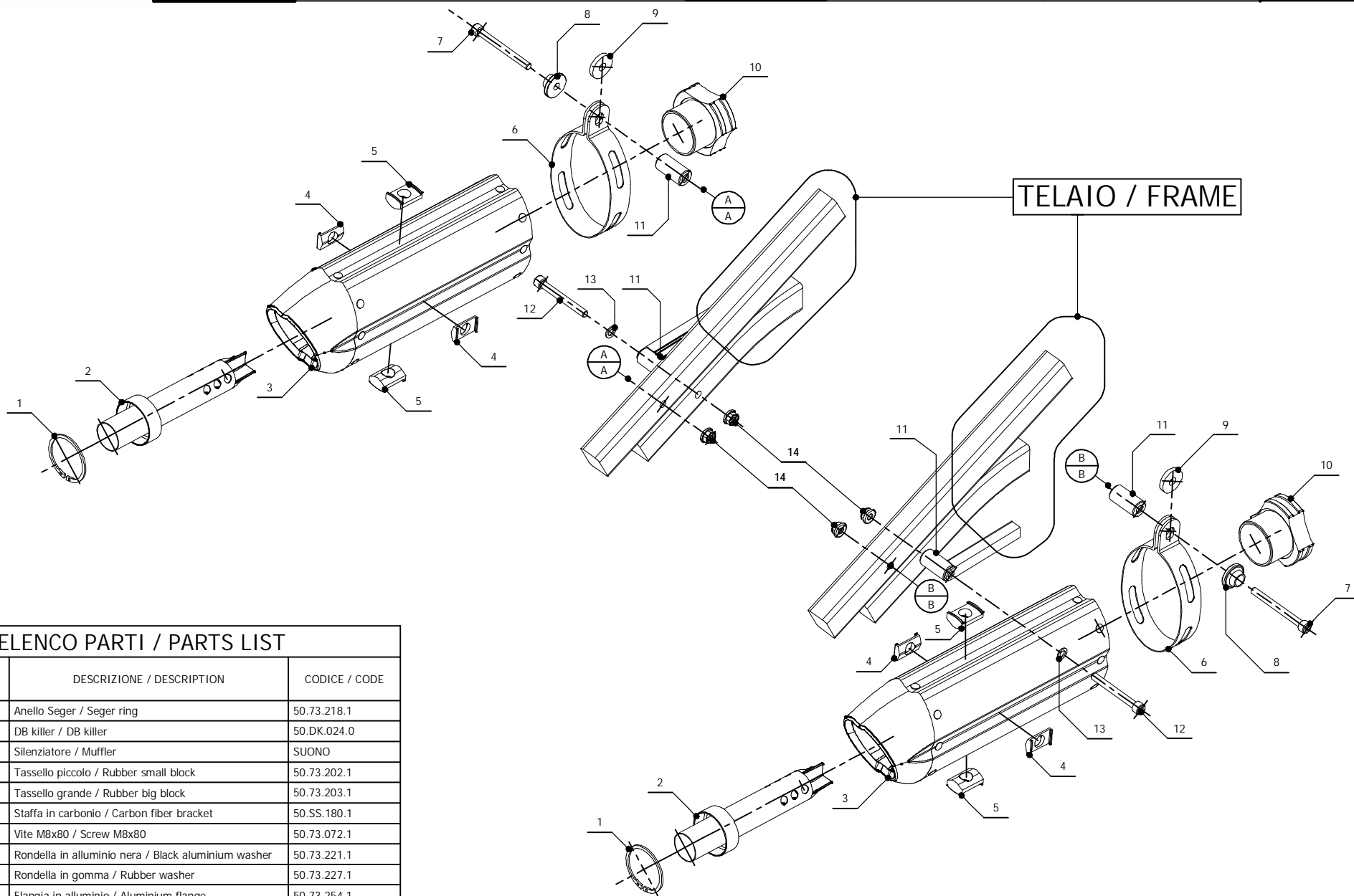
Photo



© 2008 www.mivv.it 



 © 2008 www.mivv.it


ELENCO PARTI / PARTS LIST

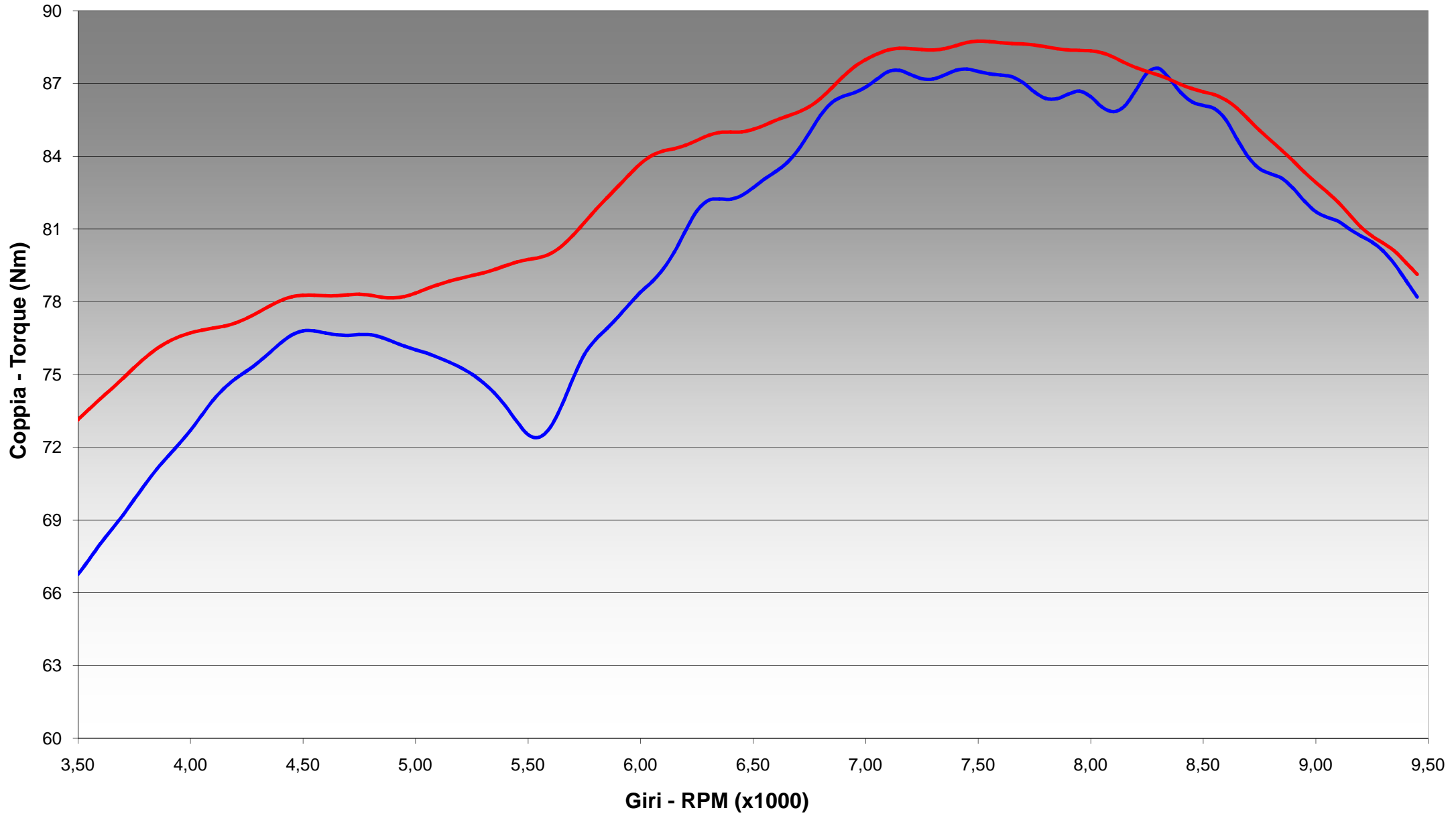
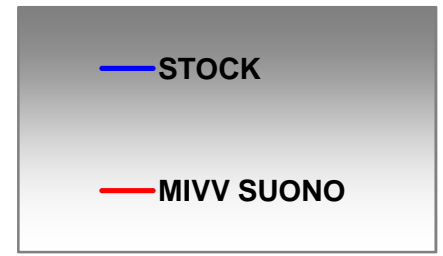
#	QTÀ / QTY	DESCRIZIONE / DESCRIPTION	CODICE / CODE
1	2	Anello Seger / Seger ring	50.73.218.1
2	2	DB killer / DB killer	50.DK.024.0
3	2	Silenziatore / Muffler	SUONO
4	4	Tassello piccolo / Rubber small block	50.73.202.1
5	4	Tassello grande / Rubber big block	50.73.203.1
6	2	Staffa in carbonio / Carbon fiber bracket	50.SS.180.1
7	2	Vite M8x80 / Screw M8x80	50.73.072.1
8	2	Rondella in alluminio nera / Black aluminium washer	50.73.221.1
9	2	Rondella in gomma / Rubber washer	50.73.227.1
10	2	Flangia in alluminio / Aluminium flange	50.73.254.1
11	4	Distanziale in alluminio / Aluminium spacer	50.SS.074.1
12	2	Vite M8x70 / Screw M8x70	50.73.086.1
13	2	Rondella M8 / Washer M8	50.73.270.1
14	4	Dado 8 MA flangiato / Flanged nut 8 MA	50.73.052.1

APPLICAZIONI / APPLICATIONS

CODICE / CODE	TUBO / PIPE	SILENZIATORE / MUFFLER	FASCETTA / CLAMP	OMOLOGAZIONE / HOMOLOGATION
KT.005.L7	INOX / STAINLESS STEEL	CARBONIO E TITANIO / CARBON FIBER AND TITANIUM	CARBONIO / CARBON FIBER	OMOLOGATO / HOMOLOGATED

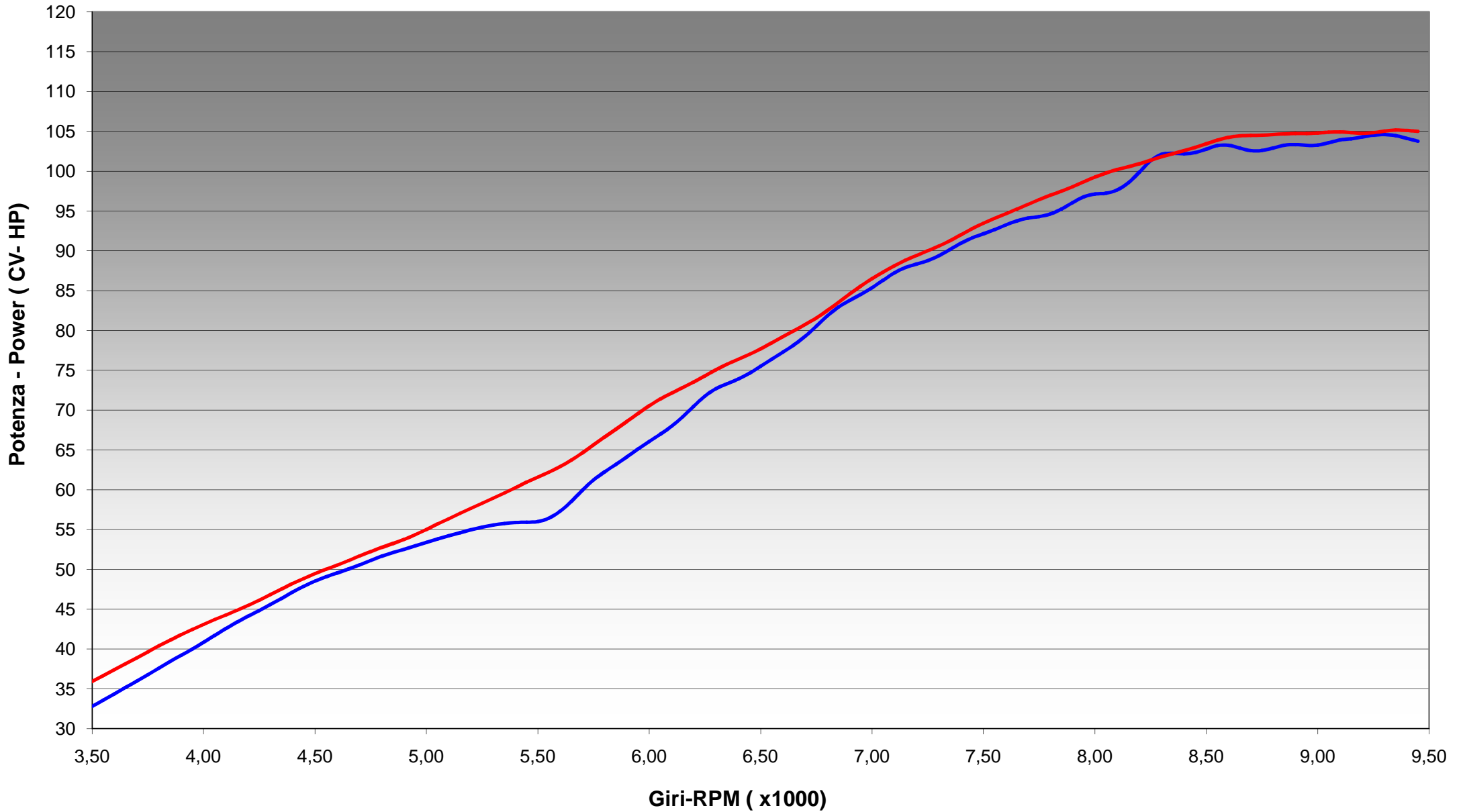
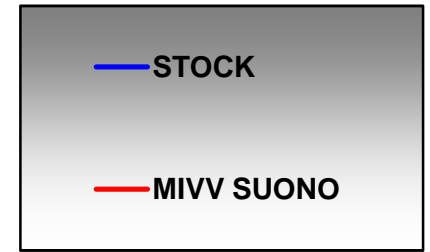


Max Torque Dynochart





Max Power Dynochart



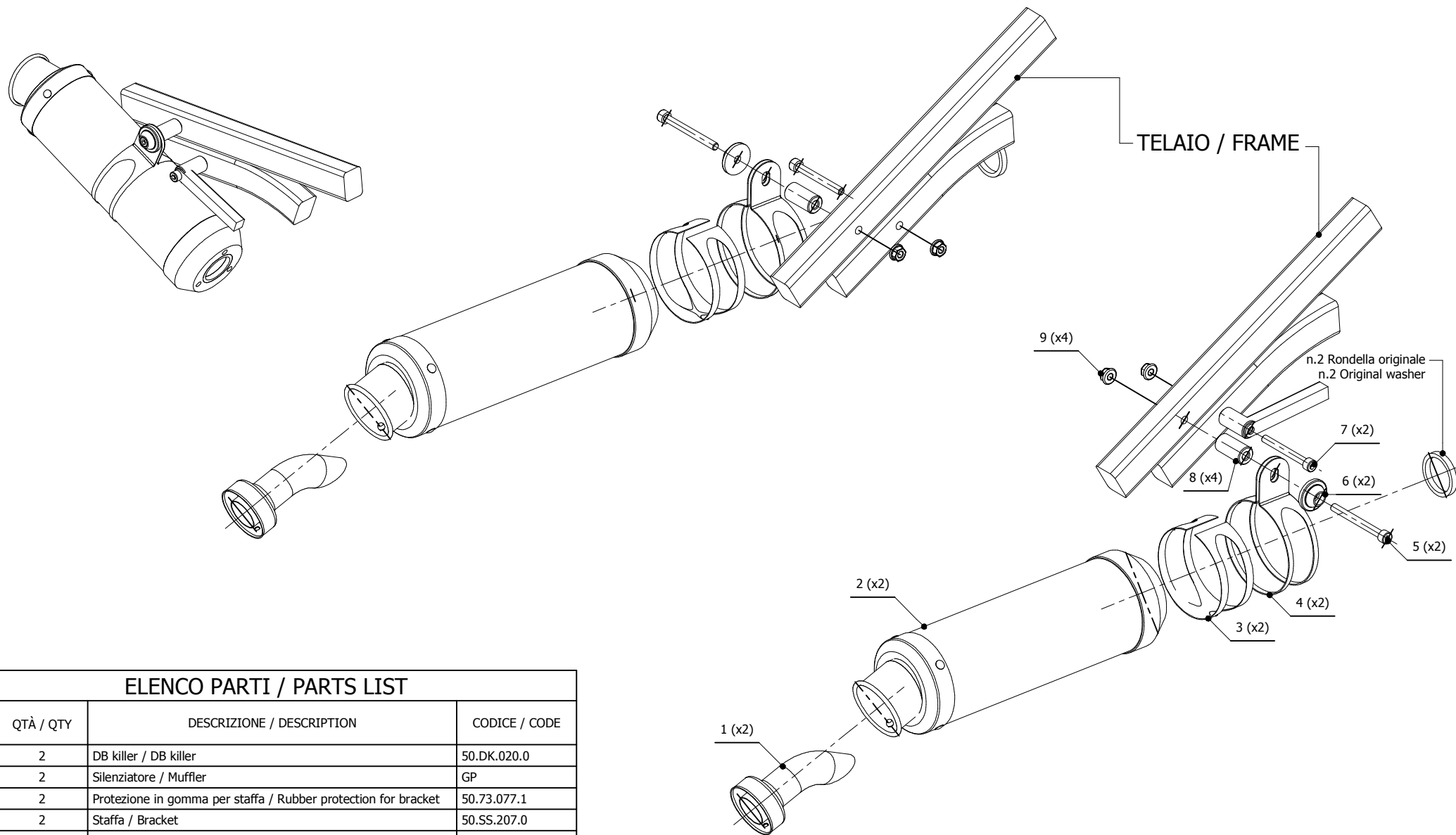


MODEL KTM LC8 990 SUPERMOTO
KTM LC8 950 SUPERMOTO R

YEAR 2007-->
2005-2006

SCHEMATIC

LINE CITY RUN



ELENCO PARTI / PARTS LIST

#	QTÀ / QTY	DESCRIZIONE / DESCRIPTION	CODICE / CODE
1	2	DB killer / DB killer	50.DK.020.0
2	2	Silenziatore / Muffler	GP
3	2	Protezione in gomma per staffa / Rubber protection for bracket	50.73.077.1
4	2	Staffa / Bracket	50.SS.207.0
5	2	Vite M8x80 / Screw M8x80	50.73.072.1
6	2	Rondella in alluminio / Aluminium washer	50.73.063.1
7	2	Vite M8x70 / Screw M8x70	50.73.086.1
8	4	Distanziale in alluminio / Aluminium spacer	50.SS.074.1
9	4	Dado 8 MA flangiato / Flanged nut 8 MA	50.73.052.1

APPLICAZIONI / APPLICATIONS

CODICE / CODE	TUBO / PIPE	SILENZIATORE / MUFFLER	FASCETTA / CLAMP	CODICE OMOL. / HOMOL. CODE
KT.005.L2	INOX / ST. STEEL	CARBONIO / CARBON FIBER	INOX / ST. STEEL	ME040 e9 1308
KT.005.L6	INOX / ST. STEEL	TITANIO / TITANIUM	INOX / ST. STEEL	ME040 e9 1308