

# PRODUCT SHEET

## SUZUKI GSXR 1000

2003 > 2004

LINE SPORT - SLIP ON SYSTEMS



**Official Partner**  
**Repsol Honda Team**

 **ITALIAN DESIGN & TECHNOLOGY**



[mivv.it](http://mivv.it)



# Product Sheet



**SUZUKI GSXR 1000**  
2003 > 2004  
SPORT - SLIP ON SYSTEMS

	Kit	Type	Shape	Level	Homologated
S.013.LE	BOLT-ON	CARBON	OVAL	STANDARD LEVEL	<input checked="" type="checkbox"/>
S.013.LN	BOLT-ON	TITANIUM	OVAL	STANDARD LEVEL	<input checked="" type="checkbox"/>
S.013.L2S	SLIP-ON	CARBON	GP	STANDARD LEVEL	<input checked="" type="checkbox"/>
S.013.L6S	SLIP-ON	TITANIUM	GP	STANDARD LEVEL	<input checked="" type="checkbox"/>
S.013.LC2	SLIP-ON	STAINLESS STEEL	X-CONE	STANDARD LEVEL	<input checked="" type="checkbox"/>





MODEL SUZUKI GSX-R 1000

YEAR 2003-2004

LINE SPORT

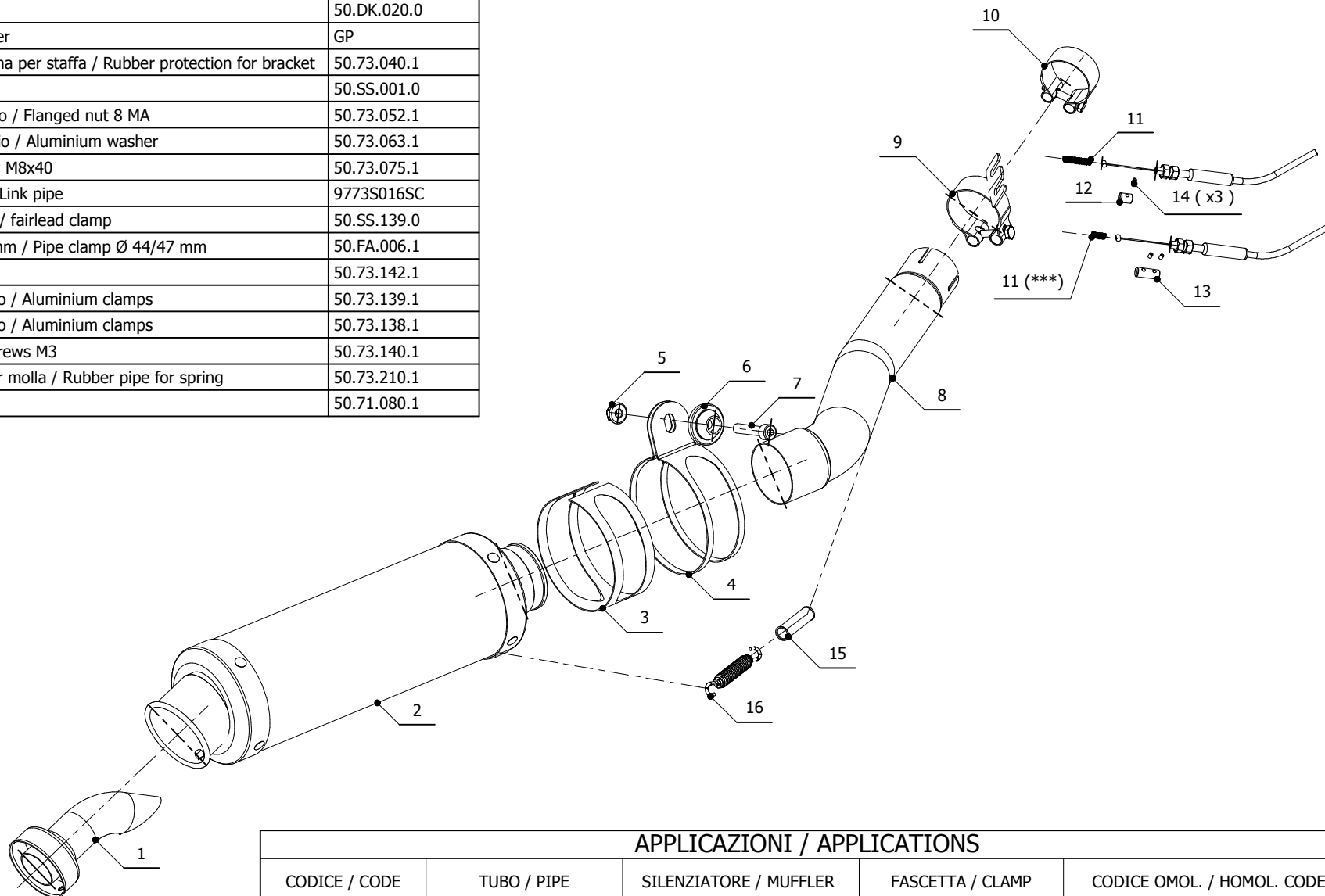
MUFFLER GP

**SCHEMATIC**

ELENCO PARTI / PARTS LIST

#	QTÀ / QTY	DESCRIZIONE / DESCRIPTION	CODICE / CODE
1	1	DB killer / DB killer	50.DK.020.0
2	1	Silenziatore / Muffler	GP
3	1	Protezione in gomma per staffa / Rubber protection for bracket	50.73.040.1
4	1	Staffa / Bracket	50.SS.001.0
5	1	Dado 8 MA flangiato / Flanged nut 8 MA	50.73.052.1
6	1	Rondella in alluminio / Aluminium washer	50.73.063.1
7	1	Vite M8x40 / Screw M8x40	50.73.075.1
8	1	Tubo di raccordo / Link pipe	9773S016SC
9	1	Fascetta passacavi / fairlead clamp	50.SS.139.0
10	1	Fascetta Ø 44/47 mm / Pipe clamp Ø 44/47 mm	50.FA.006.1
11	2	Molla / Spring	50.73.142.1
12	1	Morsetti in alluminio / Aluminium clamps	50.73.139.1
13	1	Morsetti in alluminio / Aluminium clamps	50.73.138.1
14	3	Grani M3 / Grub screws M3	50.73.140.1
15	1	Tubo in gomma per molla / Rubber pipe for spring	50.73.210.1
16	1	Molla / Spring	50.71.080.1

\*\*\* Tagliare a metà la molla / Cut in half the spring



APPLICAZIONI / APPLICATIONS

CODICE / CODE	TUBO / PIPE	SILENZIATORE / MUFFLER	FASCETTA / CLAMP	CODICE OMOL. / HOMOL. CODE
S.013.L2S	INOX / ST. STEEL	CARBONIO / CARBON FIBER	INOX / ST. STEEL	ME026 e9 1218
S.013.L6S	INOX / ST. STEEL	TITANIO / TITANIUM	INOX / ST. STEEL	ME026 e9 1218