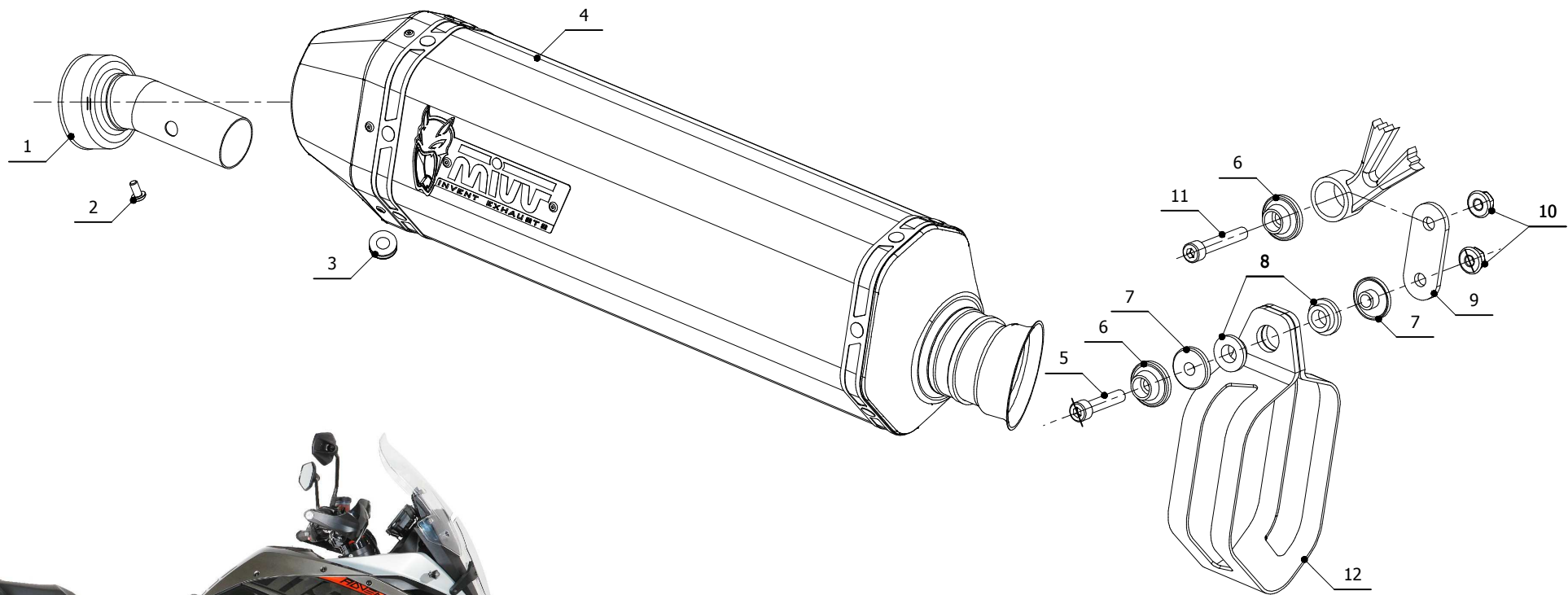




MODEL KTM 1050 ADVENTURE 2015 -->
 KTM 1190 ADVENTURE 2013 -->
 KTM 1290 ADVENTURE 2015 -->

LINE SPORT
MUFFLER SPEED EDGE

SCHEMATIC



APPLICAZIONI / APPLICATIONS

CODICE / CODE	SILENZIATORE / MUFFLER	TUBO / PIPE	FASCETTA / CLAMP
KT.017.LRX KT.017.LRB	INOX (COPPE CARBONIO) / ST. STEEL (CARBON CAPS) STEEL BLACK	INOX / ST. STEEL	CARBONIO / CARBON FIBER

ELENCO PARTI / PARTS LIST

#	QTÀ / QTY	DESCRIZIONE / DESCRIPTION	CODICE / CODE
1	1	DB killer / DB killer	50.DK.064.0
2	1	Vite M5 x 8 / Screw M5 x 8	50.73.459.1
3	1	Tappo in gomma / Rubber stopper	50.73.266.1
4	1	Silenziatore / Muffler	SPEED EDGE 400
5	1	Vite M8x40 / Screw M8x40	50.73.075.1
6	2	Rondella in alluminio nera / Black aluminium washer	50.73.221.1
7	2	Boccola / Bush	50.73.381.1
8	2	Silentblock / Silentblock	50.73.380.1
9	1	Staffa / Bracket	50.SS.683.0
10	2	Dado M8 flangiato / Flanged nut M8	50.73.393.1
11	1	Vite M8x50 / Screw M8x50	50.73.074.1
12	1	Staffa in carbonio / Carbon fiber bracket	50.SS.814.1