



**MODEL** KTM RC 390

**YEAR** 2014-->

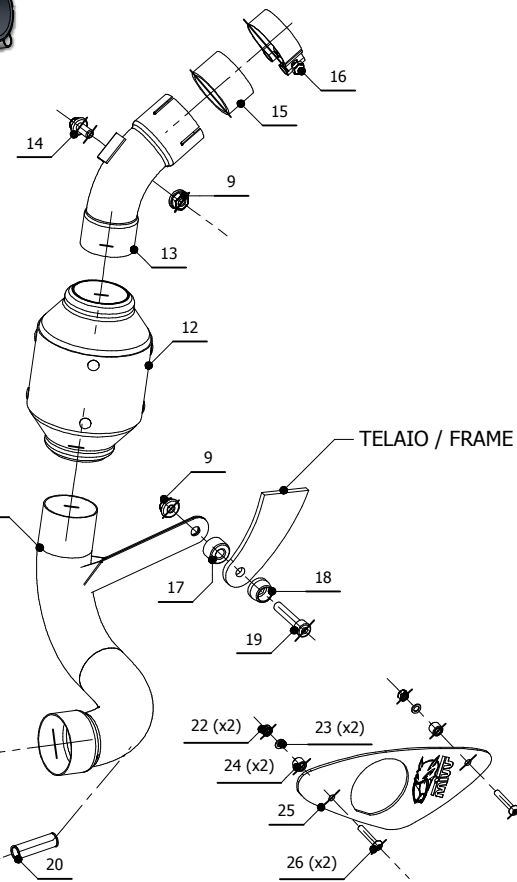
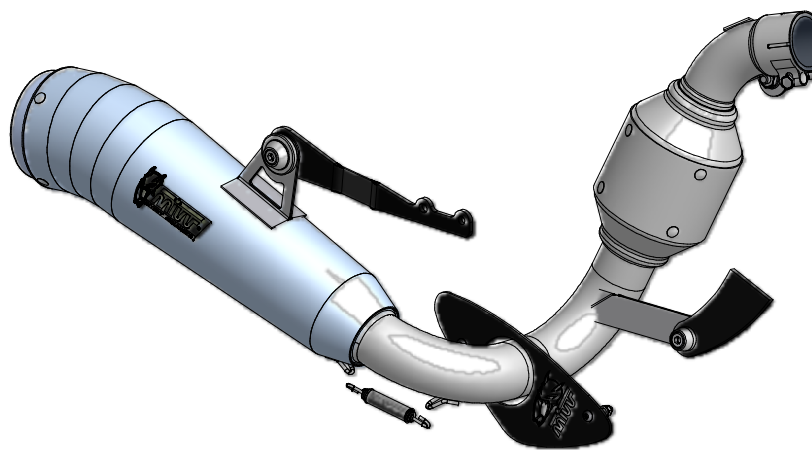
**LINE** SPORT

**MUFFLER** GIBLI

**SCHEMATIC**

**ELENCO PARTI / PARTS LIST**

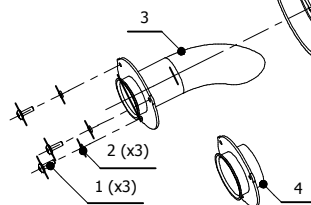
#	QTÀ / QTY	DESCRIZIONE / DESCRIPTION	CODICE / CODE
1	3	Vite M4 x 12 / Screw M4 x 12	50.73.438.1
2	3	Rondella M4 / Washer M4	50.73.440.1
3	1	DB killer / DB killer	50.DK.051.0
4	1	DB killer racing / Racing DB killer	50.DK.052.0
5	1	Silenziatore / Muffler	GIBLI
6	1	Vite M8x25 / Screw M8x25	50.73.064.1
7	1	Rondella in alluminio / Aluminium washer	50.73.063.1
8	1	Staffa / Bracket	50.SS.876.0
9	3	Dado M8 flangiato / Flanged nut M8	50.73.393.1
10	1	Db Killer / DB killer	50.DK.081.0
11	1	Tubo di raccordo / Link pipe	9773KT015S7B
12	1	Silenziatore / Muffler	9873KT009S2A
13	1	Tubo di raccordo / Link pipe	9773KT012S7A
14	1	Vite M8x16 / Screw M8x16	50.73.006.1
15	1	Guarnizione in grafite / Graphite bush	50.72.42.49.29
16	1	Fascetta Ø 48/51 mm / Pipe clamp Ø 48/51 mm	50.FA.007.1
17	1	Distanziale alluminio / Aluminium spacer (Øe.20 Øi.8,5 h.14)	50.SS.058.1
18	1	Rondella in alluminio / Aluminium washer	50.73.248.1
19	1	Vite M8x40 / Screw M8x40	50.73.075.1
20	1	Tubo in gomma per molla / Rubber pipe for spring	50.73.210.1
21	1	Molla media / Middle spring	50.73.359.1
22	2	Dado M5 / M5 nut	50.73.267.1
23	2	Rondella M5 / Washer M5	50.73.351.1
24	2	Distanziale in alluminio / Aluminium spacer (Øe.10 Øi.6 h.8)	50.73.759.1
25	1	Copertura in alluminio / Aluminium cover	50.CR.022.0
26	2	Vite M5x30 / Screw M5x30	50.73.472.1



Fissare alla pompa freno con viti originali

Fix to the master cylinder with original screw

TELAIO / FRAME



**APPLICAZIONI / APPLICATIONS**

CODICE / CODE	TUBO / PIPE	SILENZIATORE / MUFFLER	CODICE OMOL. / HOMOL. CODE
KT.015.LGX	INOX / ST. STEEL	INOX / ST. STEEL	ME047 e9 1356