



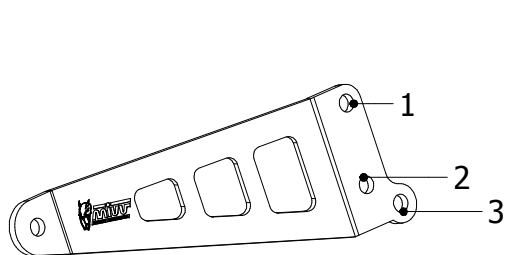
MODEL BMW C600 SPORT / C650 GT

YEAR 2012-->

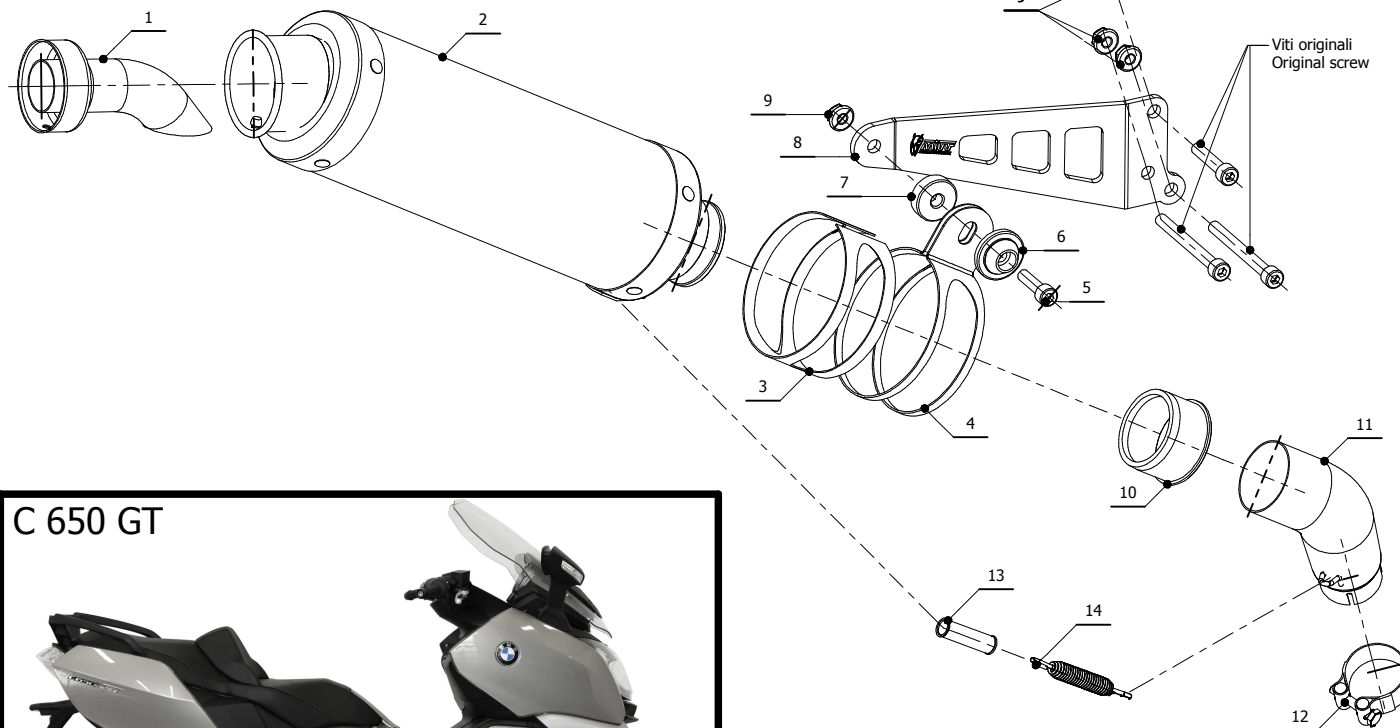
LINE SPORT

MUFFLER GP

SCHEMATIC



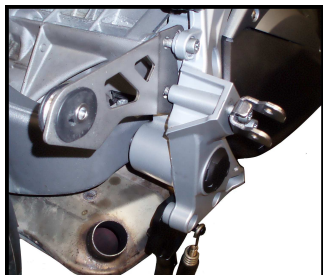
Note:
C600 SPORT use hole : 1-2-3
C650 GT use hole : 1-3



C 600 SPORT



C 650 GT



ELENCO PARTI / PARTS LIST

| # | QTÀ / QTY | DESCRIZIONE / DESCRIPTION | CODICE / CODE |
|----|-----------|---|---------------|
| 1 | 1 | DB killer / DB killer | 50.DK.020.0 |
| 2 | 1 | Silenziatore / Muffler | GP |
| 3 | 1 | Gommino per staffa / Rubber for bracket | 50.73.040.1 |
| 4 | 1 | Staffa / Bracket | 50.SS.001.0 |
| 5 | 1 | Vite M8x30 / Screw M8x30 | 50.73.219.1 |
| 6 | 1 | Rondella in alluminio / Aluminium washer | 50.73.063.1 |
| 7 | 1 | Distanziale in alluminio / Aluminium spacer | 50.SS.645.1 |
| 8 | 1 | Staffa / Bracket | 50.SS.696.0 |
| 9 | 4 | Dado 8 MA flangiato / Flanged nut 8 MA | 50.73.393.1 |
| 10 | 1 | Boccola / Bush | 50.73.327.1 |
| 11 | 1 | Tubo di raccordo / Link pipe | 9773B013S2 |
| 12 | 1 | Fascetta Ø 40/43 mm / Pipe clamp Ø 40/43 mm | 50.FA.005.1 |
| 13 | 1 | Gommino per molla / Rubber for spring | 50.73.210.1 |
| 14 | 1 | Molla media / Middle spring | 50.73.359.1 |

APPLICAZIONI / APPLICATIONS

| CODICE / CODE | TUBO / PIPE | SILENZIATORE / MUFFLER | FASCETTA / CLAMP | CODICE OMOL. / HOMOL. CODE |
|---------------|------------------|-------------------------|------------------|----------------------------|
| B.013.L2S | INOX / ST. STEEL | CARBONIO / CARBON FIBER | INOX / ST. STEEL | ME041 e9 1309 |
| B.013.L6S | INOX / ST. STEEL | TITANIO / TITANIUM | INOX / ST. STEEL | ME041 e9 1309 |