



**MODEL** YAMAHA YZF 600 R6

**YEAR** 2006-->

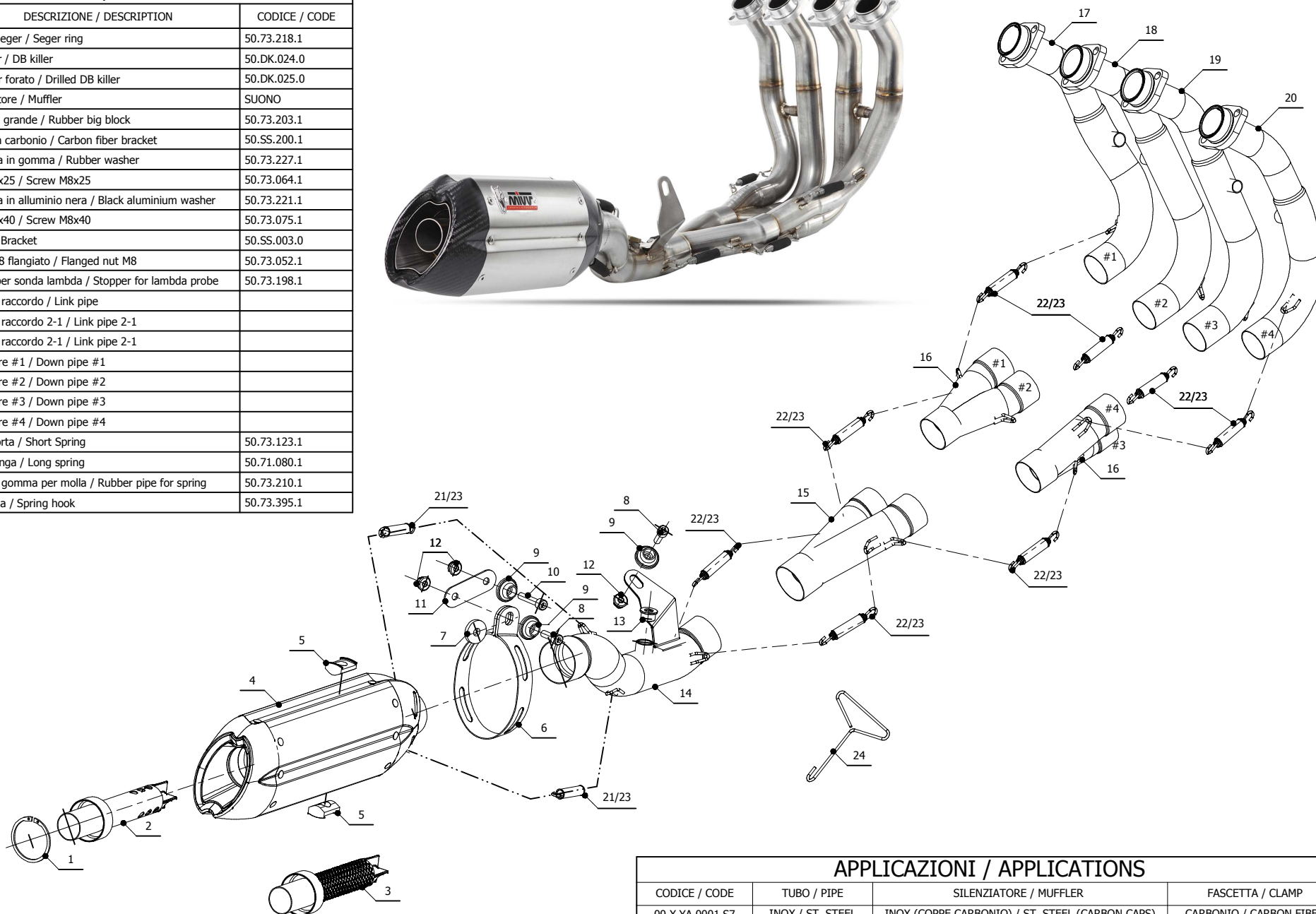
**LINE** FULL SYSTEM

**MUFFLER** SUONO

**SCHEMATIC**

**ELENCO PARTI / PARTS LIST**

#	QTÀ / QTY	DESCRIZIONE / DESCRIPTION	CODICE / CODE
1	1	Anello Seger / Seger ring	50.73.218.1
2	1	DB killer / DB killer	50.DK.024.0
3	1	Db Killer forato / Drilled DB killer	50.DK.025.0
4	1	Silenziatore / Muffler	SUONO
5	2	Tassello grande / Rubber big block	50.73.203.1
6	1	Staffa in carbonio / Carbon fiber bracket	50.SS.200.1
7	1	Rondella in gomma / Rubber washer	50.73.227.1
8	2	Vite M8x25 / Screw M8x25	50.73.064.1
9	3	Rondella in alluminio nera / Black aluminium washer	50.73.221.1
10	1	Vite M8x40 / Screw M8x40	50.73.075.1
11	1	Staffa / Bracket	50.SS.003.0
12	3	Dado M8 flangiato / Flanged nut M8	50.73.052.1
13	1	Tappo per sonda lambda / Stopper for lambda probe	50.73.198.1
14	1	Tubo di raccordo / Link pipe	
15	1	Tubo di raccordo 2-1 / Link pipe 2-1	
16	2	Tubo di raccordo 2-1 / Link pipe 2-1	
17	1	Collettore #1 / Down pipe #1	
18	1	Collettore #2 / Down pipe #2	
19	1	Collettore #3 / Down pipe #3	
20	1	Collettore #4 / Down pipe #4	
21	2	Molla corta / Short Spring	50.73.123.1
22	8	Molla lunga / Long spring	50.71.080.1
23	10	Tubo in gomma per molla / Rubber pipe for spring	50.73.210.1
24	1	Tiramolla / Spring hook	50.73.395.1



**APPLICAZIONI / APPLICATIONS**

CODICE / CODE	TUBO / PIPE	SILENZIATORE / MUFFLER	FASCETTA / CLAMP
00.X.YA.0001.S7	INOX / ST. STEEL	INOX (COPPE CARBONIO) / ST. STEEL (CARBON CAPS)	CARBONIO / CARBON FIBER