

PRODUCT SHEET

KAWASAKI ZX 10 R

2011 >

LINE SPORT - SLIP ON SYSTEMS



Official Partner
Repsol Honda Team

 **ITALIAN DESIGN & TECHNOLOGY**

mivv.it



Kawasaki

KAWASAKI ZX 10 R
2011 >
SPORT - SLIP ON SYSTEMS

	Kit	Type	Shape	Level	Homologated
K.026.LDG	SLIP-ON	FULL TITANIUM	DOUBLE GUN	STANDARD LEVEL	<input checked="" type="checkbox"/>
K.026.L2S	SLIP-ON	CARBON	GP	STANDARD LEVEL	<input checked="" type="checkbox"/>
K.026.L6S	SLIP-ON	TITANIUM	GP	STANDARD LEVEL	<input checked="" type="checkbox"/>
K.026.L7	SLIP-ON	STAINLESS STEEL CARBON CAP	SUONO	STANDARD LEVEL	<input checked="" type="checkbox"/>
K.026.L9	SLIP-ON	FULL CARBON	SUONO	STANDARD LEVEL	<input checked="" type="checkbox"/>
K.026.LGX	SLIP-ON	STAINLESS STEEL	GHIBLI	STANDARD LEVEL	<input checked="" type="checkbox"/>
K.026.C1	TUBE NO KAT	--	--	--	<input checked="" type="checkbox"/>



© 2011 - www.mivv.it 



© 2011 - www.mivv.it 



© 2011 - www.mivv.it 



© 2011 - www.mivv.it 



MODEL KAWASAKI ZX-10 R

YEAR 2011-->

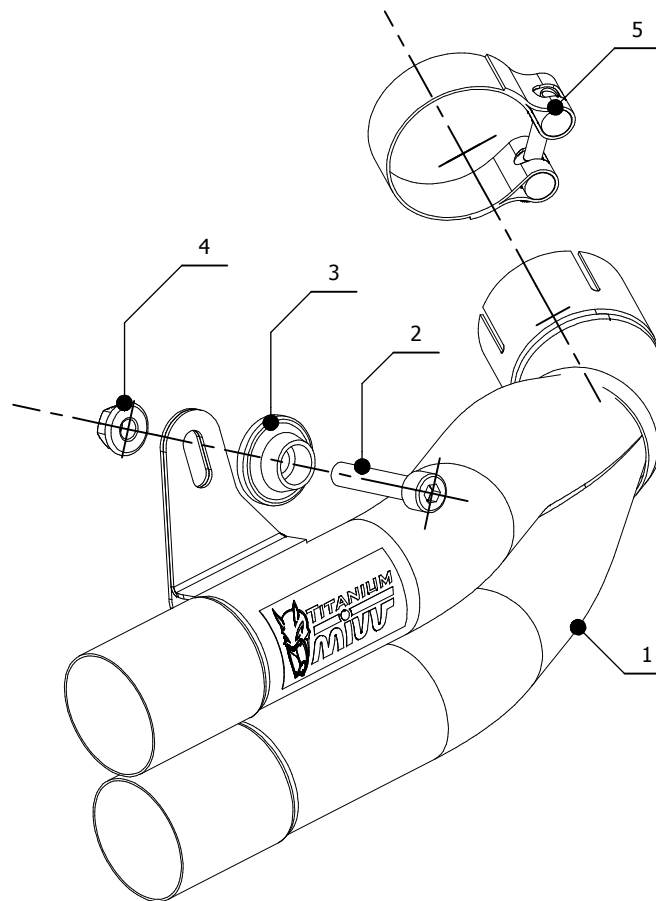
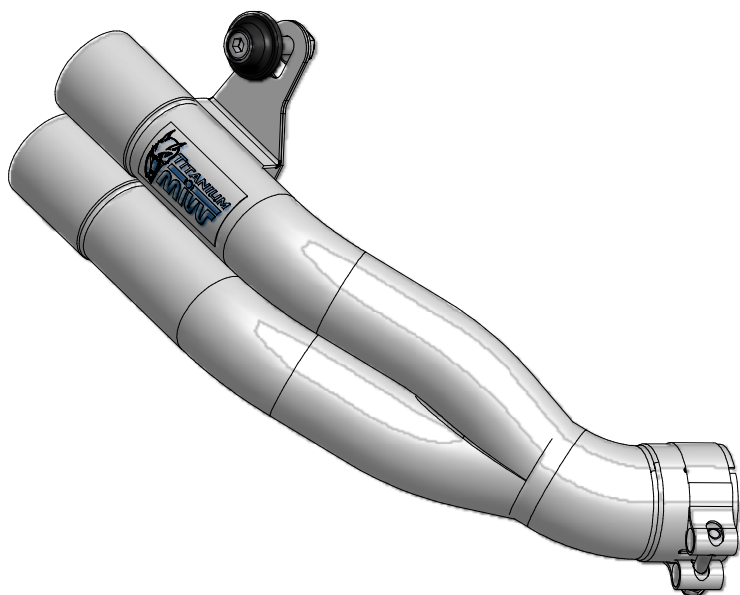
LINE SPORT

MUFFLER DOUBLE GUN

SCHEMATIC

ELENCO PARTI / PARTS LIST

#	QTÀ / QTY	DESCRIZIONE / DESCRIPTION	CODICE / CODE
1	1	Silenziatore / Muffler	DOUBLE GUN
2	1	Vite M8x40 / Screw M8x40	50.73.075.1
3	1	Rondella in alluminio nera / Black aluminium washer	50.73.221.1
4	1	Dado 8 MA flangiato / Flanged nut 8 MA	50.73.052.1
5	1	Fascetta Ø 52/55 mm / Pipe clamp Ø 52/55 mm	50.FA.008.1



APPLICAZIONI / APPLICATIONS

CODICE / CODE	TUBO / PIPE	SILENZIATORE / MUFFLER	CODICE OMOL. / HOMOL. CODE
K.026.LDG	////	TITANIO / TITANIUM	ME008 e9 1176



MODEL KAWASAKI ZX-10 R

YEAR 2011-->

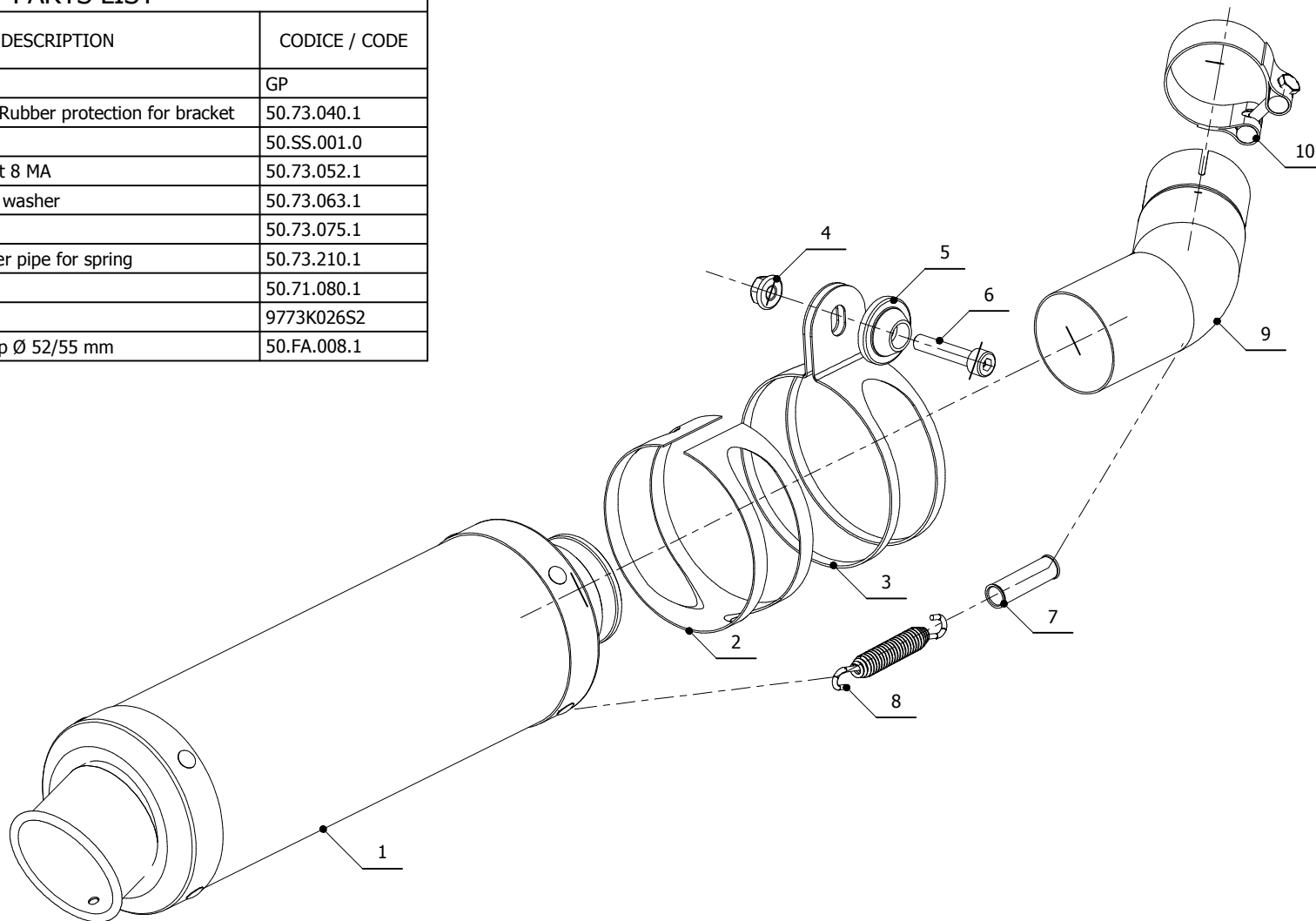
LINE SPORT

MUFFLER GP

SCHEMATIC

ELENCO PARTI / PARTS LIST

#	QTÀ / QTY	DESCRIZIONE / DESCRIPTION	CODICE / CODE
1	1	Silenziatore / Muffler	GP
2	1	Protezione in gomma per staffa / Rubber protection for bracket	50.73.040.1
3	1	Staffa / Bracket	50.SS.001.0
4	1	Dado 8 MA flangiato / Flanged nut 8 MA	50.73.052.1
5	1	Rondella in alluminio / Aluminium washer	50.73.063.1
6	1	Vite M8x40 / Screw M8x40	50.73.075.1
7	1	Tubo in gomma per molla / Rubber pipe for spring	50.73.210.1
8	1	Molla lunga / Long spring	50.71.080.1
9	1	Tubo di raccordo / Link pipe	9773K026S2
10	1	Fascetta Ø 52/55 mm / Pipe clamp Ø 52/55 mm	50.FA.008.1



APPLICAZIONI / APPLICATIONS

CODICE / CODE	TUBO / PIPE	MUFFLER / SILENZIATORE	FASCETTA / CLAMP	CODICE OMOL. / HOMOL. CODE
K.026.L2S	INOX / ST. STEEL	CARBONIO / CARBON FIBER	INOX / ST. STEEL	ME008 e9 1176
K.026.L6S	INOX / ST. STEEL	TITANIO / TITANIUM	INOX / ST. STEEL	ME008 e9 1176